

**SPECIFICATIONS:**

- **FREQUENCY:** ..... 0.5 GHz TO 18 GHz
- **INSERTION LOSS:** ..... REFLECTIVE: 3.75db  
ABSORPTIVE: 4.25db
- **ISOLATION:** ..... 0.5 GHz TO 2 GHz: 60db  
2 GHz TO 18 GHz: 70db
- **VSWR:** ..... REFLECTIVE IN/OUT: 2.0:1  
ABSORPTIVE IN/OUT: 2.0:1  
ABSORPTIVE OUT/OFF: 2.0:1
- **SPEED:** ..... RISE: 10ns TYPICAL, 15ns MAX.  
FALL: 10ns TYPICAL, 15ns MAX.  
DELAY ON: 75ns TYPICAL, 100ns MAX.  
DELAY OFF: 75ns TYPICAL, 100ns MAX.
- **POWER INPUT:** ..... (CW)+20dBm (STANDARD), +10 dBm (HIGH SPEED)
- **SURVIVAL POWER:** ..... 1 WATT CW, 10 WATTS PEAK 1 usec
- **CONTROL:** ..... TTL LOGIC "0"=ON "1"=OFF
- **POWER SUPPLY:** ..... +5V @ 350 mA MAX.  
-5V @ 75mA MAX.(RELECTIVE)  
100mA MAX.(ABSORPTIVE/NON-REFLECTIVE)

**OPTIONS:**

- INDEPENDENT CONTROL WITH SOLDER PIN STANDARD
- DEC-SP ..... 3 BIT DECODER WITH SOLDER PIN
- 10M18 ..... 10 MHz TO 18 GHz (INSERTION LOSS INCREASES BY 1.5db AT 10 MHz AND 0.5db AT 18 GHz)
- 100M18 ..... 100 MHz TO 18 GHz (INSERTION LOSS INCREASES BY 1.5db AT 100 MHz AND 0.5db AT 18 GHz)
- 118 ..... 1 GHz TO 18 GHz (NO CHANGE IN INSERTION LOSS)
- 218 ..... 2 GHz TO 18 GHz (NO CHANGE IN INSERTION LOSS)
- 412 ..... 4 GHz TO 12.4 GHz (NO CHANGE IN INSERTION LOSS)
- 618 ..... 6 GHz TO 18 GHz (NO CHANGE IN INSERTION LOSS)
- 1218 ..... 12 GHz TO 18 GHz (NO CHANGE IN INSERTION LOSS)
- 100M20 ..... 100 MHz TO 20 GHz (INSERTION LOSS INCREASES BY 1.5db AT 100 MHz AND 1.0db AT 20 GHz)
- 220 ..... 2 GHz TO 20 GHz (INSERTION LOSS INCREASES BY 1.0db AT 20 GHz)
- 1020 ..... 10 GHz TO 20 GHz (INSERTION LOSS INCREASES BY 1.0db AT 20 GHz)
- B01 ..... -12V POWER SUPPLIES
- B02 ..... -15V POWER SUPPLIES
- B03 ..... REVERSE LOGIC "1"=ON "0"=OFF
- B04 ..... DRIVERLESS, CURRENT CONTROLLED
- B05 ..... HIGH SPEED, TURNON/TURNOFF 25 nsec MAXIMUM WHEN APPLICABLE
- B06 ..... HIGH POWER - SPECIFY CW POWER, PEAK POWER, PULSE WIDTH, DUTY CYCLE, RF FREQUENCY AND BANDWIDTH
- B07 ..... CUSTOM DESIGNED PRODUCT- SPECIFY INITIALS OF CUSTOMER
- B08 ..... LOW VIDEO TRANSIENTS - SPECIFY VIDEO BANDWIDTH
- B09 ..... LOW INSERTION LOSS VERSION
- B10 ..... HIGHER ISOLATION VERSION
- B11 ..... 0.40" THICK VERSION
- B12 ..... 0.70" THICK VERSION

**ENVIRONMENTAL RATINGS:**

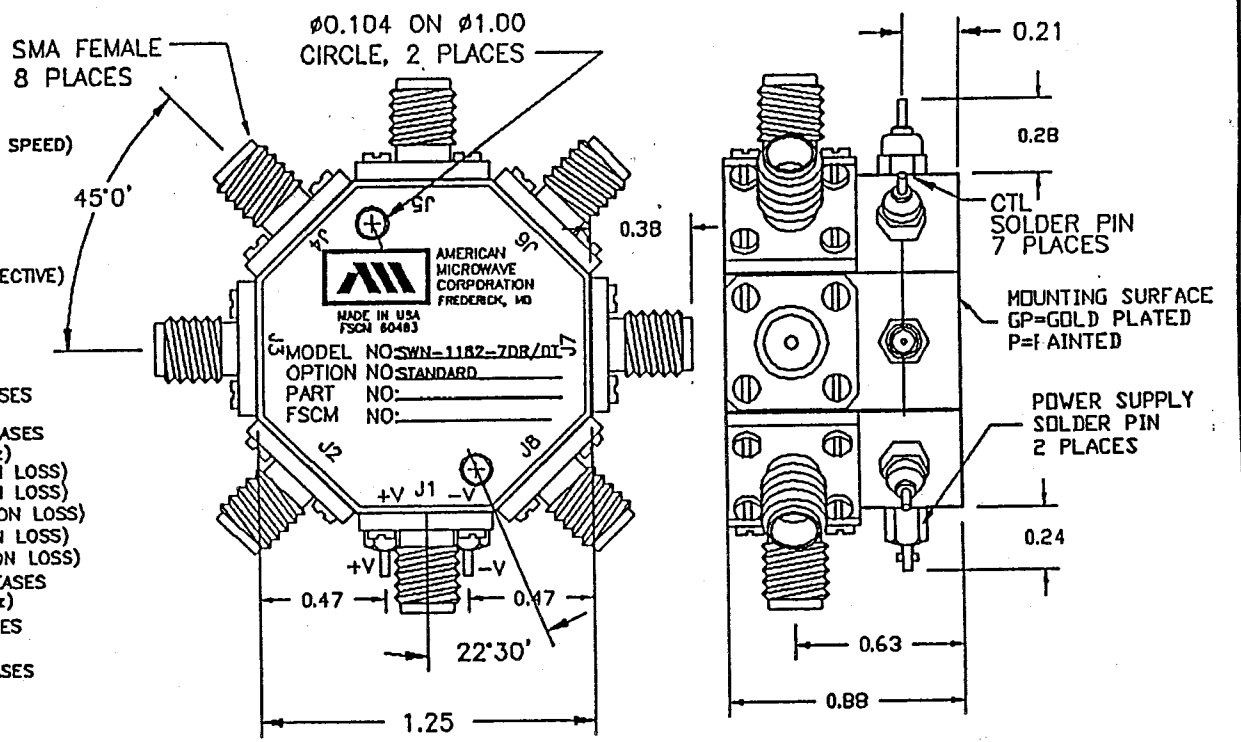
- **TEMPERATURE:** ..... -55°C TO +85°C (OPERATING)  
-65°C TO +125°C (STORAGE)
- **HUMIDITY:** ..... MIL-STD-202F, METHOD 103B COND. B
- **SHOCK:** ..... MIL-STD-202F, METHOD 213B COND. B
- **VIBRATION:** ..... MIL-STD-202F, METHOD 204D COND. B
- **ALTITUDE:** ..... MIL-STD-202F, METHOD 105C COND. B
- **TEMPERATURE CYCLE:** ..... MIL-STD-202F, METHOD 107D COND. A

NOTE: ABOVE SPECIFICATIONS ARE SUBJECT TO CHANGE OR REVISION

ALL DIMENSIONS ARE IN INCHES

TOLERANCES:  
X.XX ±0.020  
X.XXX ±0.010

REVISIONS				
ZONE	REV.	DESCRIPTION	DATE	APPROVED
	A	ORIGINAL RELEASE	8/11/97	



NOTE:

- DR=WITH DRIVER, REFLECTIVE
- DT=WITH DRIVER, NON-REFLECTIVE/ABSORPTIVE

CONTRACT NO.		AMERICAN MICROWAVE CORPORATION FREDERICK, MARYLAND		
APPROVALS	DATE	TITLE OUTLINE DRAWING SWN-1182-7DR/DT-STANDARD REFLECTIVE OR NON-REFLECTIVE/ABSORPTIVE RADIAL SOLID STATE SWITCH		
DRAWN WSP	8/11/97	SIZE	FSCM NO.	DWG NO.
CHECKED P. Noble	11/7/97	A	60483	100-4185-1
ISSUED		SCALE	N/S	REV. A
				1 of 1

23-1